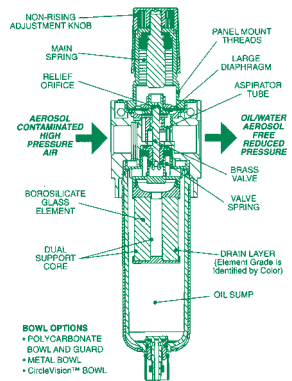
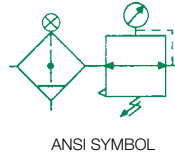


## C14, C22, C32, C42 Series

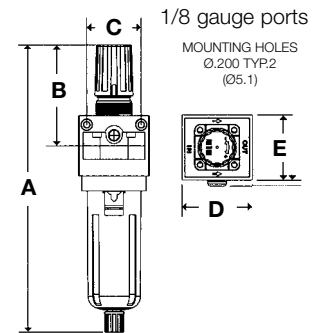
- Four convenient sizes
- Cartridge element design
- Inner/outer support cores prevent element from crushing in either flow direction
- Four element grades available



## Specifications

Bowl		14 Series	22 series	32 Series	42 Series
Temperature Range °F (°C)		40-120 (4-50)	40-120 (4-50)	40-120 (4-50)	40-120 (4-50)
Max. Pressure PSIG (BAR)	Poly C	150 (10)	150 (10)	150 (10)	150 (10)
	Metal	200 (14)	200 (14)	200 (14)	200 (14)
Weight lbs. (kg)	Poly C	0.80 (0.35)	0.92 (0.42)	1.82 (0.83)	5.05 (2.29)
	Metal	0.85 (0.38)	1.60 (0.73)	2.95 (1.34)	6.15 (2.76)
Nominal Flow SCFM (L/M)*		20 (560)	35 (991)	50 (1416)	100 (2832)
Body Material		Zinc	Aluminum	Aluminum	Aluminum

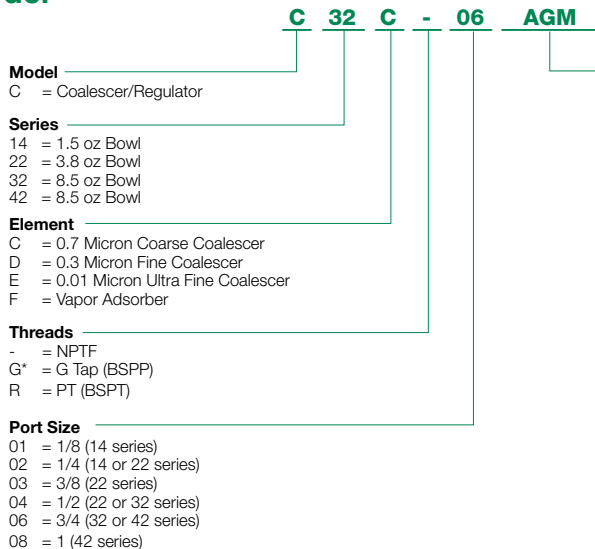
\*Nominal flow using a 0.3 micron element, at 100 psig (6.9 bar) inlet pressure and 80 psig (5.5 bar) set pressure



## Dimensions: Inches (mm)

Size	A	B	C	D	E
14	7.9 (200)	2.87 (73)	1.45 (37)	1.68 (43)	1.6 (41)
22	9.86 (251)	3.41 (87)	1.83 (46.5)	2.375 (60.4)	2.165 (54.9)
32	12.2 (309)	4.5 (114)	2.45 (62)	3 (76)	3 (76)
42	17.39 (442)	6.19 (157)	3.26 (83)	4 (102)	4 (102)

## How to Order



### Options

- A\* = Auto Drain (22, 32, and 42 series)
- B = Flexible Drain
- C = CircleVision™ Sight Bowl
- D = 3 Micron, Internal Pleated Filter
- G = Gauge
- H\* = 0-200 PSIG Output
- I = 0-25 PSIG Output
- J = External Pulse Drain
- L = 0-60 PSIG Output
- M = Metal Bowl (Sight Glass Available 22, 32 and 42 Series)
- N = Non-Relieving
- P = Panel Mount Nut
- Q = Metal Manual Drain
- R = Manual Lever Drain
- S = Steel T Handle (42 Series)
- T = Tamper Resistant
- V = Shut Off Valve

\*"A" and "H" options cannot be used together.

Note: To order a piston style coalescing/regulator add "P" to the model number. (ie: C32CP-06AGQ)

\*Conforms to ISO Standards 1179-1 and 228-1