

Athalon™ maximum-life filters deliver the highest level of sustained fluid system protection, across all applications, regardless of severity.

Featuring an industry leading $\text{Beta}_{X(C)}=2000^*$ filter efficiency; the highest rated filter performance available today.

(* per ISO 16889)

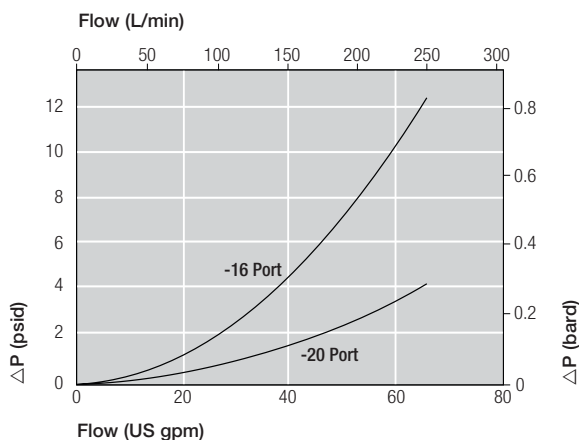
Notes and Specifications Filter Housing

- Flows to 265 L/min (70 US gpm)
- Pressures to 10 bar (145 psi)
- Inlet Port Size: 1" and 1¼"
Outlet Port Size: 1 ¼" (all options)
- **Rated Fatigue Pressure:**
0 - 10 bar (145 psi) per NFPA T2.06.01R2-2001 CAT C/90*(¼ million), verified by testing at 0 - 12 bar (174 psi) for ¼ million cycles.
- **Filter Element Burst Pressure:**
10 bard (150 psid)
- **Fluid Compatibility:**
Compatible with all petroleum oils and most water glycols, water-oil emulsions, and synthetic hydraulic and lubrication fluids
- **Temperature Range:**
Fluorocarbon Seals:
-29 °C to 120 °C (-20 °F to 248 °F)
60 °C (140 °F) maximum in HWCF or water glycol fluids
- **Bypass Valve Setting:**
3.4 bard (50 psid)
1.7 bard (25 psid)
Available with or without anti-backflow valve
- **Indicator Pressure Setting:**
2.5 Bard (36 psid)
1.1 bard (16 psid)
- **Materials of Construction:**
Head and tube: Aluminium
Cover: Polyamide
- **Filter Element :**
Inorganic fibers impregnated and bonded with epoxy resins.
Polymer endcaps. Anti-static media design

Pressure Drop Information

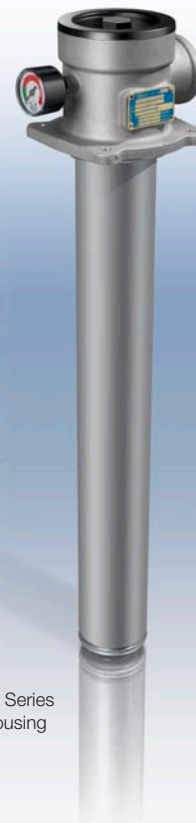
Housing pressure drop using fluid with 0.9 S.G.

Housing pressure drop is directly proportional to specific gravity.



New: UT210 Series Athalon™ Tank Mounted Filters

- Keeps fluids the cleanest, longest, for the greatest value
- Provides consistent, reliable, protection of system components over the full service life of the filter element
- Rapidly achieves and sustains required fluid system cleanliness
- Delivers maximum filter capacity in the smallest footprint
- Prevents electrostatic discharge from damaging your filter and degrading your fluid



UT210 Series
filter housing

Features

- Patented Ultipleat (laid-over pleat) filter medium pack
- Pall Stress-Resistant Technology (SRT) Media
- Coreless filter element configuration
- Low clean differential pressure for low energy operation

Element Pressure Drop

210 Series Filter Elements – bard/1000 L/min (psid/US gpm)

Length Code	AZ	AP	AN	AS	AT
04	20.07 (1.102)	8.51 (0.467)	5.72 (0.314)	3.55 (0.195)	2.69 (0.148)
08	9.93 (0.545)	4.21 (0.231)	2.83 (0.155)	1.76 (0.096)	1.33 (0.073)
13	5.95 (0.327)	2.52 (0.139)	1.70 (0.093)	1.05 (0.58)	0.80 (0.044)
20	3.95 (0.217)	1.68 (0.092)	1.13 (0.062)	0.70 (0.038)	0.53 (0.029)

Multiply actual flow rate times factor in table below to determine pressure drop with fluid at 32 cSt (150 SUS), 0.9 S.G. Correct for other fluids by multiplying new viscosity in cSt/32 (SUS/150) x new S.G./0.9. Note: factors are per 1000 L/min and per 1 US gpm

Sample ΔP calculation

UT210 Series 13" length housing with C20 (1 ¼" BSPP) ports using AN grade media. Operating conditions 100 L/min flow rate using a hydraulic fluid of 50 cSt and specific gravity (s.g.) 1.2.

Total Filter ΔP

$$\begin{aligned}
 &= \Delta P_{\text{housing}} + \Delta P_{\text{element}} \\
 &= (0.06 \times 1.2/0.9) \text{ bard (housing)} \\
 &+ ((100 \times 1.7/1000) \times 50/32 \times 1.2/0.9) \text{ bard (element)} \\
 &= 0.08 \text{ (housing)} + 0.35 \text{ bard (element)} \\
 &= \mathbf{0.43 \text{ bard (6.23 psid)}}
 \end{aligned}$$

Ordering Information

For new installations, select one complete part number from each section below

Section 1 Housing P/N: UT210

Note: Pall Athalon filter housings are supplied without filter elements or warning devices fitted. Never operate the filter unless a filter element is fitted and all warning device ports are sealed.

Note: Z indicates fluorocarbon seals are standard. Other options are available; contact Pall. Housing P/N designates indicator port fitted with a plastic shipping plug.

Table A

Port & Length Options

Tables 1, 2 and 3

A1604Z
A1608Z
A1613Z
A2008Z
A2013Z
A2020Z
C1604Z
C1608Z
C1613Z
C2008Z
C2013Z
C2020Z

Table 1: Housing Port Options

Code	Port Style
A	SAE J1926 straight thread
C	BSP ISO 228 threads

Table 2: Inlet Port Style

Code	Port Style
16	1" nominal
20	1 ¼" nominal

Table 3: Housing Length and Seal Options

Code	Length and Seal Material
04Z	4" nominal length, fluorocarbon seals
08Z	8" nominal length, fluorocarbon seals
13Z	13" nominal length, fluorocarbon seals
20Z	20" nominal length, fluorocarbon seals

Table 4: Bypass Valve

Code	Bypass Valve and Service Type
A	1.7 bard (25 psid) bypass valve, cover service
B	3.4 bard (50 psid) bypass valve, cover service
8	1.7 bard (25 psid) bypass with anti-backflow valve
9	3.4 bard (50 psid) bypass with anti-backflow valve

Seal Kit P/N: ST210SKZ

*Other seal material options are available; Contact Pall.

Section 2 Element P/N: UE 210

Note: Z indicates fluorocarbon seals are standard. Other options are available; contact Pall.

Table 5: Filter Element Options

Code	$\beta_{x(c)} \geq 2000$ based on ISO 16889	CST Rating*
AZ	3	07/04/01
AP	5	11/08/03
AN	7	13/09/04
AS	12	15/11/06
AT	25	16/14/08

* CST: Cyclic Stabilization Test to determine filter rating under stress conditions, based on SAE ARP4205

Section 3

Differential Pressure Indicator P/N:

Table 6: Gauge / Switch Options

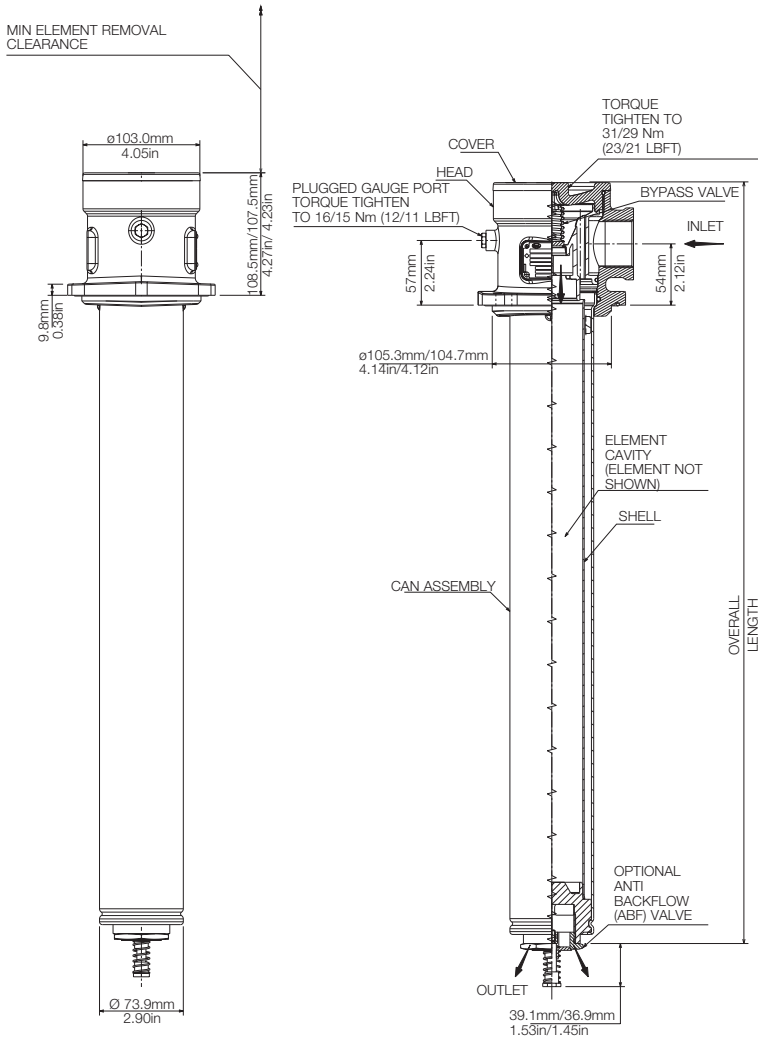
Part No.	Rating	Indicator
9004D370-11	0 -10 bard (150 psid)	'A' type pressure Gauge
9004D370-34	0 -10 bard (150 psid)	'G' type Pressure Gauge
HCA132-11	1.1 bard (16 psid)	Electrical absolute pressure switch 24VDC
HCA132-24	2.4 bard (35 psid)	Electrical absolute pressure switch 220VAC with 3 (15") flying leads
HC0380-11	1.1 bard (16 psid)	Electrical absolute pressure switch 220VAC with 3 (15") flying leads
HC0380-24	2.4 bard (35 psid)	

Note: Use 1.1 bar rating for A and 8 valve options
Use 2.4 bar rating for B and 9 valve options

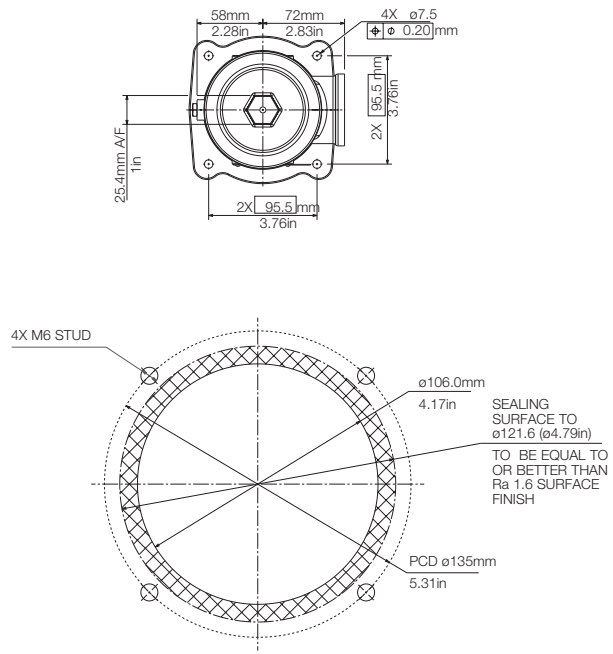
Dimensional Drawings

Dimensions in mm (inches)

Length Code	Overall length mm (in)	Cover Service Element Removal Clearance mm (in)	Empty Weight kg (lb)
4	264.3 (10.41)	147 (5.8)	1.7 (3.8)
8	369.9 (14.41)	248 (9.8)	1.8 (4.0)
13	500.6 (19.71)	383 (15.1)	1.9 (4.2)
20	670.7 (26.41)	553 (21.8)	2.2 (4.9)



The equipment has been assessed in accordance with the guidelines laid down in The European Pressure Directive 97/23/EC and has been classified within Sound Engineering Practice S.E.P. Suitable for use with Group 1 and 2 fluids only. Consult Sales for other fluid gas group suitability.



25 Harbor Park Drive
 Port Washington NY 11050
 +1 516 484 3600 telephone
 +1 800 289 7255 toll free US

Portsmouth - UK
 +44 (0)23 9233 8000 telephone
 +44 (0)23 9233 8811 fax
 industrialeu@pall.com

Filtration. Separation. Solution.SM



Visit us on the Web at www.pall.com

Pall Corporation has offices and plants throughout the world. For Pall representatives in your area, please go to www.pall.com/contact

Because of technological developments related to the products, systems, and/or services described herein, the data and procedures are subject to change without notice. Please consult your Pall representative or visit www.pall.com to verify that this information remains valid.

© Copyright 2015, Pall Corporation. Athalon, Pall and **PALL** are trademarks of Pall Corporation. © Indicates a trademark registered in the USA. Better Lives. Better Planet and Filtration. Separation. Solution.SM are service marks of Pall Corporation.