



FE Series EG-EGS Filter Assemblies

Upgrade Obsolete 3M™-Cuno™ Self-Cleaning Metal Filter Assemblies

Upgrade for Self-Cleaning Metal Filters

3M-Cuno EF EG & EGS series self-cleaning filter systems were discontinued by the manufacturer. However, PowerFlow's FE Series EG-EGS offers a cost-effective alternative that is easy to retrofit and maintain, while delivering better equipment protection through improved filter performance.

PowerFlow FE Series



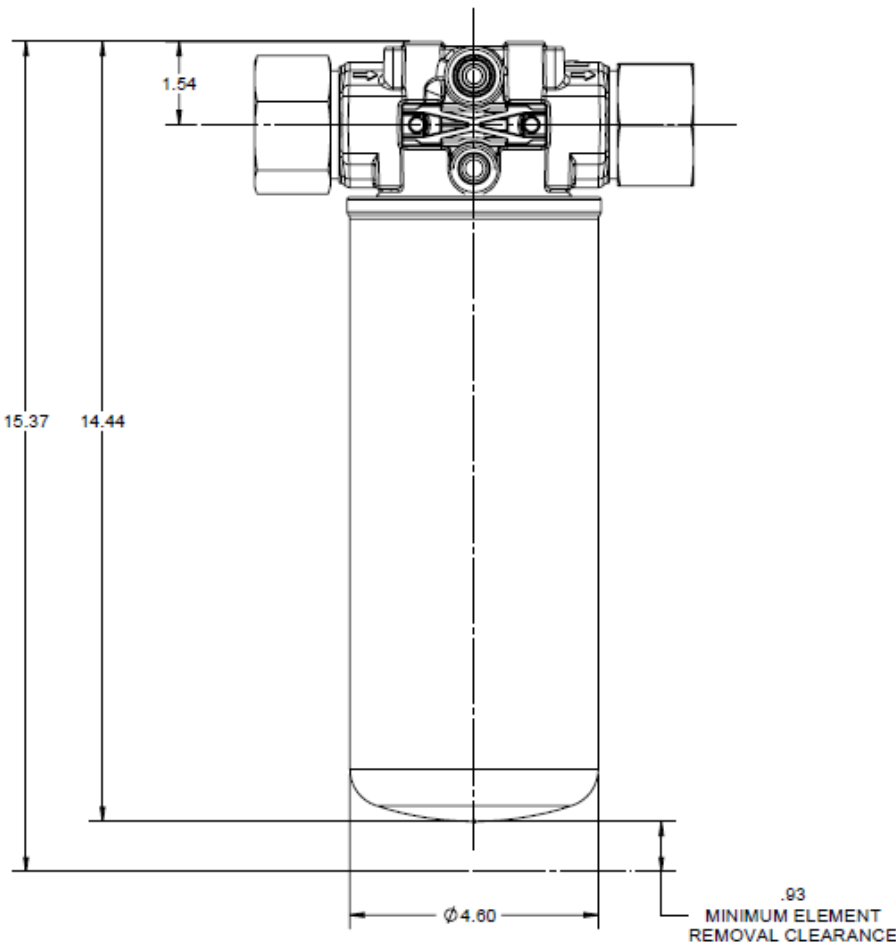
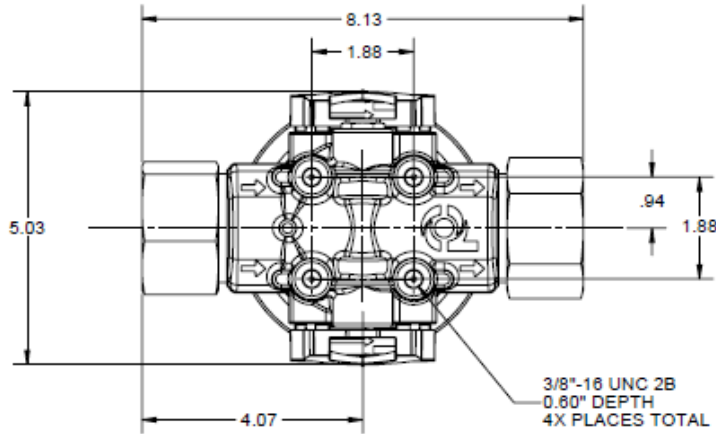
3M-Cuno EF EG & EGS



PF Model	In/Out	Micron Rating (β=1000)	Flow Rate*	EF EG & EGS Model	In/Out	Micron Rating (Nominal)	Flow Rate*
PF095401	1.5"	23	35 GPM	12838-21-50-0015	1"	38	34 GPM
				12838-22-50-0015	1"	38	45 GPM
				12907-16-50-0015	1.5"	38	45 GPM
PF095402	1.5"	50	40 GPM	12318-25-50-0030	1"	76	18 GPM
				12318-29-50-0030	1"	76	24 GPM
				11076-29-50-0030	1.5"	76	24 GPM
PF095402	1.5"	50	40 GPM	12318-25-50-0050	1"	127	25 GPM
				12318-29-50-0050	1"	127	29 GPM
				11076-29-50-0050	1.5"	127	29 GPM
PF095403	1.5"	150	40 GPM	12318-25-50-0080	1"	203	30 GPM
				12318-29-50-0080	1"	203	30 GPM
				11076-29-50-0080	1.5"	203	30 GPM
PF095403	1.5"	150	40 GPM	12318-25-50-0120	1"	305	30 GPM
				12318-29-50-0120	1"	305	30 GPM
				11076-29-50-0120	1.5"	305	30 GPM



FE Series EG-EGS



	PowerFlow PF EG-EGS	3M-Cuno EF EG & EGS
--	------------------------	------------------------

Working Pressure	350 PSIG	200 PSIG
Maximum Temperature	225 °F	200 °F
Service Indicator	Multi-Color Visual	None

■ Easy Retrofit

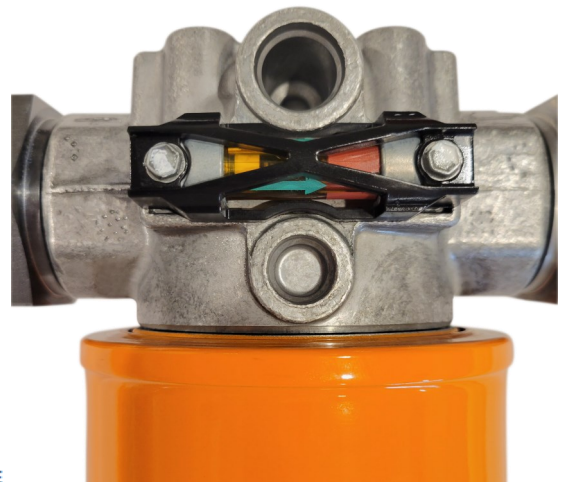
With an inline design like the 3M-Cuno EF EG & EGS, retrofitting only requires basic pipe fit-up.

■ Simple Operation

Simply monitor the included service indicator and change the spin-on filter canister as needed.

■ Filtration Upgrade

Donaldson Duramax filter elements offer upgraded equipment protection with absolute filtration rated at $\beta_{x(c)} = 1000$ and a range of filtration levels and media selections. The FE Series provides a simple and flexible solution.



Multi-Color Service Indicator