

Stabilized With Integral Block Valve

SV SERIES



Note: Shown with flange adaptor for round installations.

- Block valve can be installed on either side of stabilized body, allowing 1/2 turn installation
- Slotted bolt holes allow for 2-1/8" and 2-1/4" bolt spacings
- Designed to reinforce the entire installation by shifting radial-stress load away from the NPT connections
- 0.375" bore for unrestricted passage of process gas
- Non-rotating stem tip standard on block valves
- Blow-out proof stem provides a secondary stem seal in the full open position
- Features a replaceable Acetal seat, and straight through porting for bidirectional, high capacity flow and easy roddable cleaning of the block valves
- Metal body-to-bonnet and body-to-flange plug with secondary o-ring seals
- FKM o-ring seal and PTFE back-up ring below the stem threads to protect from corrosion and galling
- Includes PTFE gaskets and Carbon Steel bolts for manifold installation
- Optional dielectric barrier creates a non-conductive shield between the instrument and the orifice fitting

SPECIFICATIONS

Materials	Zinc-Nickel plated Carbon Steel, 316 Stainless Steel*
Bolts	Carbon Steel
Connection	1/2" NPT-flange
Pressure rating	6,000 psi at 200 °F
Orifice	0.375"
Flow coefficient	C_v 3.0
Stem seal & type	All 316 Stainless Steel stems with FKM o-ring and PTFE back-up ring below the threads
Weight	Approximately 10.6 lb. (pair)

* All 316SS products meet the requirements of NACE MR0175/ISO 15156-3.

For NOSHOK Steel Connectors:



WARNING: This product can expose you to chemicals including Lead, which is known to the State of California to cause cancer and birth defects or other reproductive harm. For more information go to www.P65Warnings.ca.gov

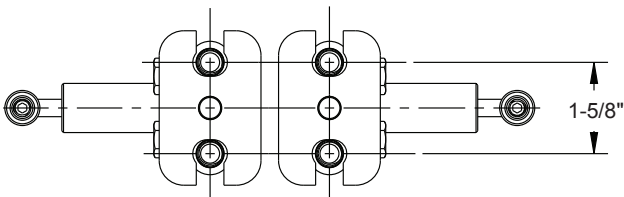
For NOSHOK Stainless Steel Connectors:



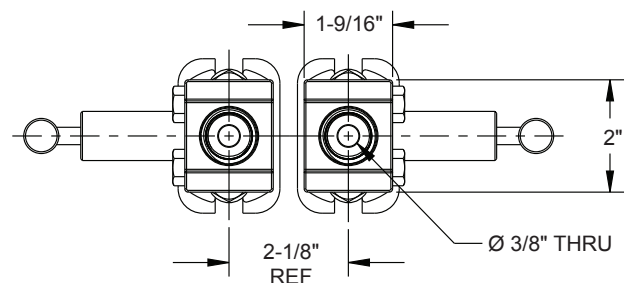
WARNING: This product can expose you to chemicals including Chromium (VI) and Nickel, which are known to the State of California to cause cancer and birth defects or other reproductive harm. For more information go to www.P65Warnings.ca.gov

Stabilized Connector with Integral Block Valve

Top View



Bottom View



ORDERING INFORMATION			
SERIES	SV	Stabilized connector with integral block valve	
MATERIALS	C	Steel	S Stainless Steel
CONNECTOR TYPES	1	Stabilized connector pair with integral valve*	2 Stabilized connector pair with integral valve, flange adaptor**
OPTIONS†	DK1	One Piece Dielectric Gasket, Pair	DK2 PTFE Gasket with Dielectric Shim, Pair
	DK1-SS	One Piece Dielectric Gasket, Pair w/SS Bolts	DK2-SS PTFE Gasket with Dielectric Shim, Pair w/SS Bolts

Please consult your local NOSHOK Distributor or NOSHOK, Inc. for availability and delivery information.

† For more information on Dielectric Kits, see page 140

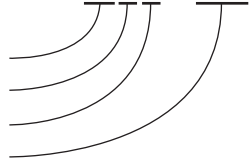
* For flat installations (orifice fitting)

** For round installations (orifice flange)

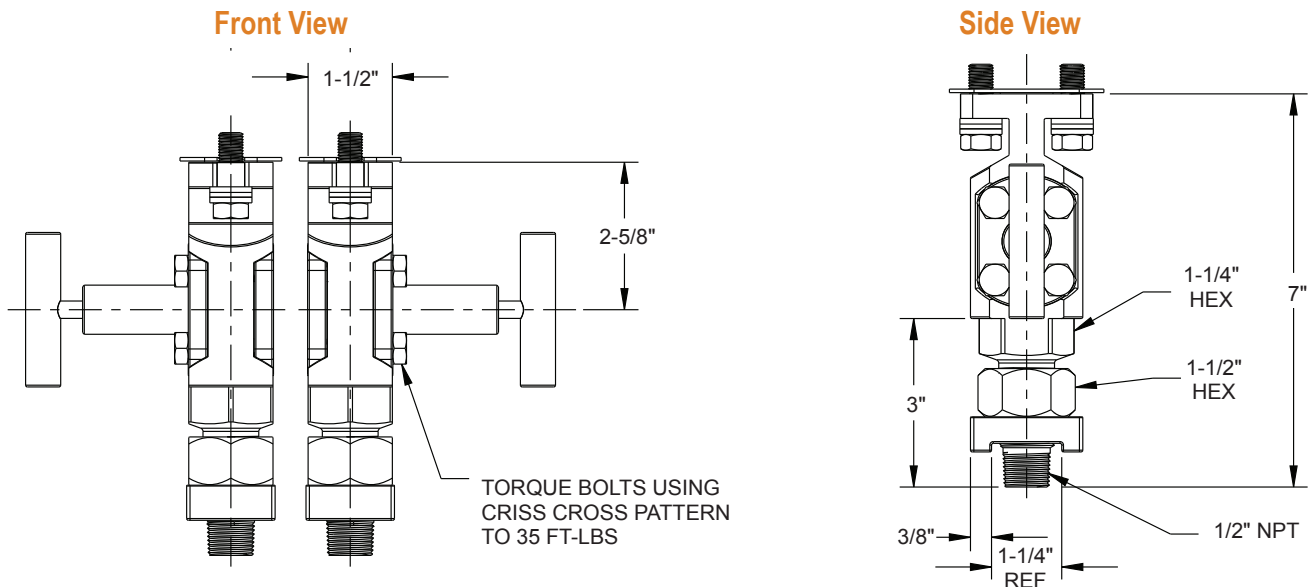
EXAMPLE

Series.....Connector with integral block valve
Material.....Steel
Connector type..... Stabilized connector pair with integral valve
Option..... One piece Dielectric gasket, pair

SVC1 - DK1

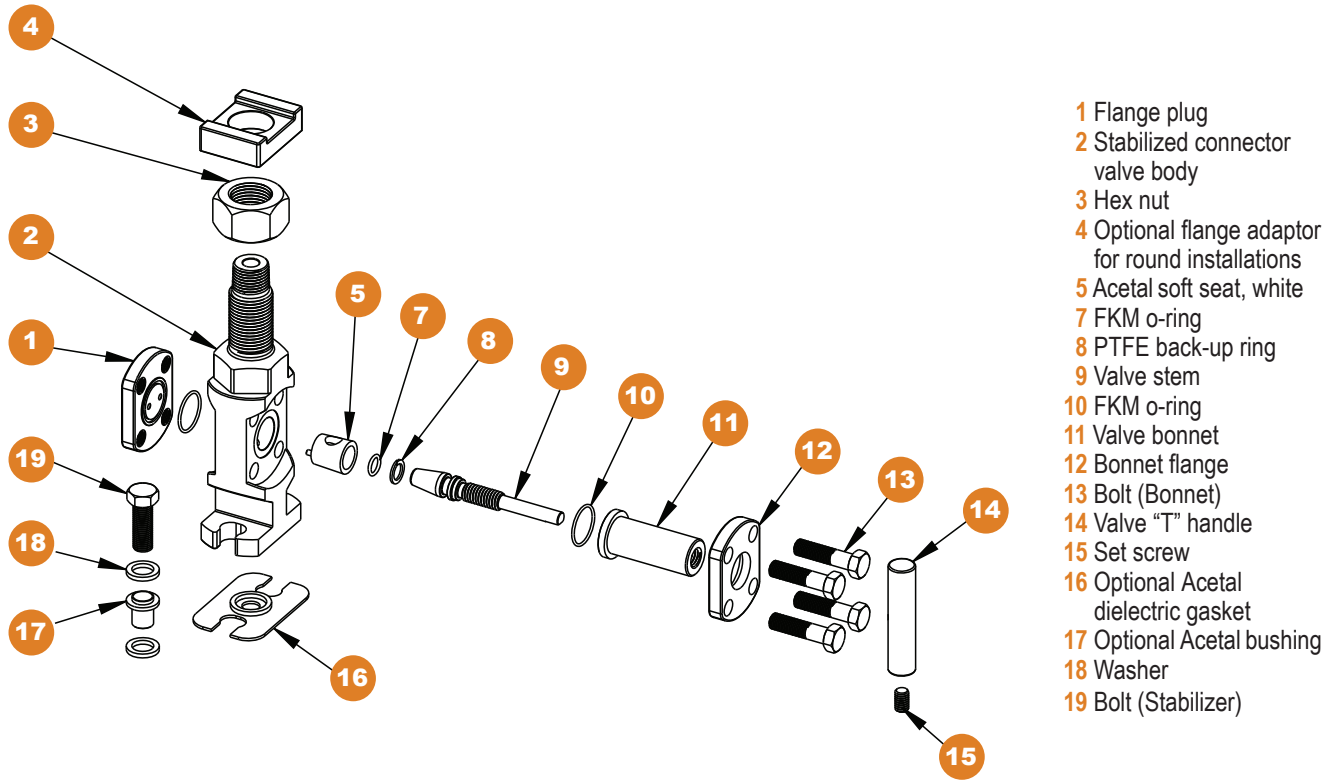


Stabilized Connector with Integral Block Valve

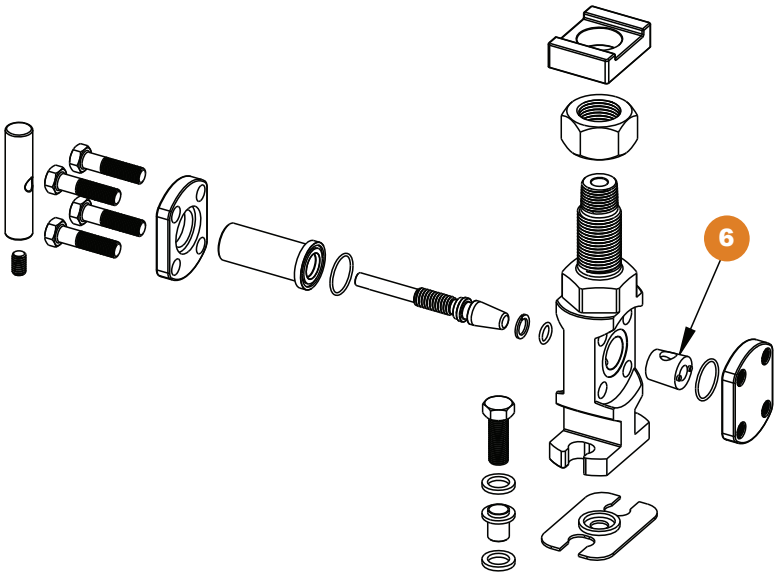


Dimensions

Stabilized Connector with Integral Block Valve



Optional Assembly With Soft Seat Installed on Opposite Side Of Valve



6 Acetal soft seat, black