

Stabilized & Non-Stabilized

SZ SERIES



Stabilized Connectors

Note: Shown with flange adaptor for round installations.



Non-stabilized Connector

- Slotted bolt holes allow for 2-1/8" and 2-1/4" bolt spacings
- Designed to reinforce the entire installation by shifting radial-stress load away from the NPT connections
- Available in 3-3/8" and 5" lengths
- Optional dielectric barrier creates a non-conductive shield between the instrument and the orifice fitting

SPECIFICATIONS

Materials	Zinc-Nickel plated Carbon Steel, 316 Stainless Steel*
Bolts	Carbon Steel
Connection	1/2" NPT-flange
Pressure rating	10,000 psi at 200 °F
Orifice	0.375"
Weight	Approximately 3.3 lb. (Short stabilized) Approximately 4.5 lb. (Long stabilized) Approximately 2.9 lb. (Non-stabilized)

* All 316SS products meet the requirements of NACE MR0175/ISO 15156-3.

For NOSHOK Steel Connectors:



WARNING: This product can expose you to chemicals including Lead, which is known to the State of California to cause cancer and birth defects or other reproductive harm. For more information go to www.P65Warnings.ca.gov

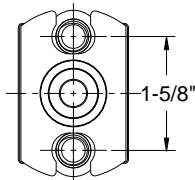
For NOSHOK Stainless Steel Connectors:



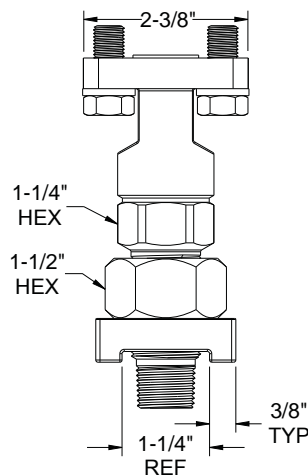
WARNING: This product can expose you to chemicals including Chromium (VI) and Nickel, which are known to the State of California to cause cancer and birth defects or other reproductive harm. For more information go to www.P65Warnings.ca.gov

Long Stabilized Connector

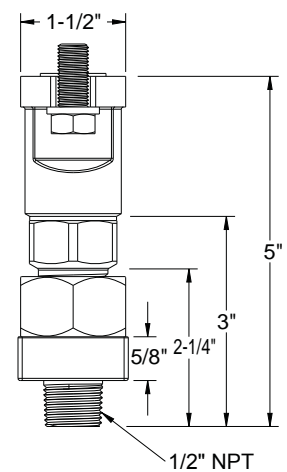
Top View



Front View



Side View



ORDERING INFORMATION			
SERIES	SZ Connector		
MATERIALS	C Steel	S	Stainless Steel
CONNECTOR TYPES	1 Short stabilized pair*	4	Long stabilized pair with flange adaptor**
	2 Short stabilized pair, with flange adaptor**	5	Non-stabilized pair
	3 Long stabilized pair*		
OPTIONS†	DK1 One Piece Dielectric Gasket, Pair	DK2	PTFE Gasket with Dielectric Shim, Pair
	DK1-SS One Piece Dielectric Gasket, Pair w/SS Bolts	DK2-SS	PTFE Gasket with Dielectric Shim, Pair w/SS Bolts

Please consult your local NOSHOK Distributor or NOSHOK, Inc. for availability and delivery information.

† For more information on Dielectric Kits, see page 140

* For flat installations (orifice fitting)

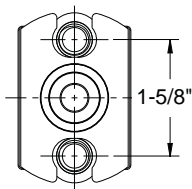
** For round installations (orifice flange)

EXAMPLE

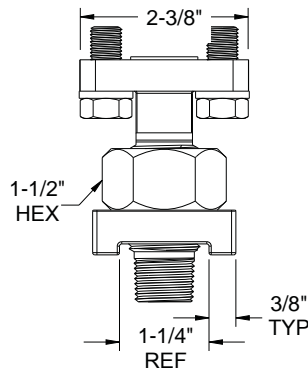
Series.....Connector **SZ C 1**
 Material.....Steel **S**
 Connector type.....Short stabilized pair **1**
 Option.....One piece Dielectric gasket, pair **DK1**

Short Stabilized Connector

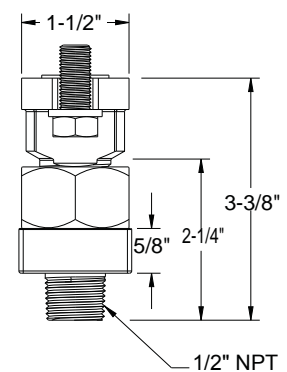
Top View



Front View

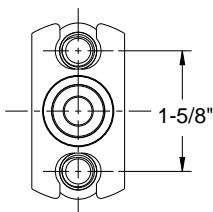


Side View

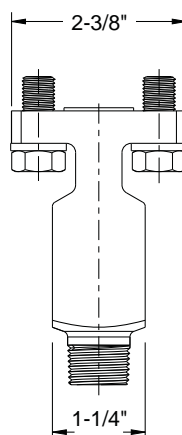


Non-Stabilized Connector

Top View



Front View



Side View

