

Needle Valves

Mini, Hard Seat

100 SERIES



- Compact size valve built for maximum durability and robust performance in the toughest applications
- 100% helium leak tested to 1×10^{-4} ml/s for performance and reliability
- Available in Zinc-Nickel plated Steel, electropolished Stainless Steel, and Brass
- FKM o-ring seal and PTFE back-up ring below the stem threads to protect from corrosion and galling; PTFE or Graphite packing optional
- All stem threads are rolled for strength and ease of operation
- Patented body-to-bonnet, metal-to-metal seal is designed to significantly increase the pressure range of the valve (**U.S. Patent 7,758,014**)

SPECIFICATIONS

Materials	Zinc-Nickel plated Steel, electropolished 316 Stainless Steel*, 360 Brass
Connections	1/8" NPT, 1/4" NPT, 7/16"-20 UNF-2B, 9/16"-18 UNF-2B Male-male, Male-female, Female-female, in-line and angled configurations
Pressure ratings**	Brass: 6,000 psi @ 200 °F Steel: 10,000 psi @ 200 °F Stainless Steel: 10,000 psi @ 200 °F
Orifice size	0.172"
Flow coefficient	C_v 0.42
Stem seal & type	All 316 Stainless Steel stems with FKM o-ring and PTFE back-up ring below the threads, PTFE or Graphite packing optional
Options	Panel mountings, o-ring materials, handles, packings, regulating stem and stem tips
Weight	Approximately 0.5 lb.

* All 316SS products meet the requirements of NACE MR0175/ISO 15156-3.

** If a packing option is chosen, maximum pressure rating is 6,000 psi. Refer to the "Pressure vs. Temperature: Packing Style with Compatible Fluid" chart at the back of this catalog.

For NOSHOK Mini Valves with Brass & Steel valve types:



WARNING: This product can expose you to chemicals including Lead, which is known to the State of California to cause cancer and birth defects or other reproductive harm. For more information go to www.P65Warnings.ca.gov

For NOSHOK Mini Valves with Stainless Steel valve types:



WARNING: This product can expose you to chemicals including Chromium (VI) and Nickel, which are known to the State of California to cause cancer and birth defects or other reproductive harm. For more information go to www.P65Warnings.ca.gov

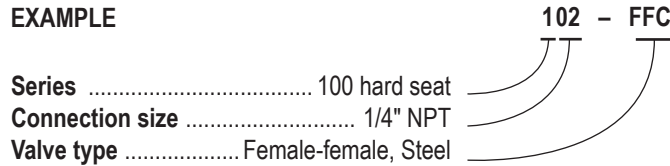
NOTE: All NOSHOK valve products conform to the MSS SP-99 instrument valves standards, and valves supplied with packing also conform to MSS SP-132 compression packing systems for instrument valves standard.

SERIES	1 100 Series, hard seat		
CONNECTION SIZES	01 1/8" NPT	42 7/16"- 20 UNF-2B*	
	02 1/4" NPT	43 9/16"- 18 UNF-2B*	
VALVE TYPES	MMB Male-Male, Brass	MFC Male-Female, Steel	MFS Male-Female, Stainless Steel
	MFb Male-Female, Brass	EMFC Extended Male-Female, Steel	EMFS Extended Male-Female, Stainless Steel
	FFB Female-Female, Brass	FFC Female-Female, Steel	FFS Female-Female, Stainless Steel
	EFFB Extended Female-Female, Brass	EFFC Extended Female-Female, Steel	EFFS Extended Female-Female, Stainless Steel
	MMAB Male-Male Angle, Brass	MMAC Male-Male Angle, Steel	MMAS Male-Male Angle, Stainless Steel
	MFAB Male-Female Angle, Brass	MFAC Male-Female Angle, Steel	MFAS Male-Female Angle, Stainless Steel
	FFAB Female-Female Angle, Brass	FFAC Female-Female Angle, Steel	FFAS Female-Female Angle, Stainless Steel
	MMC Male-Male, Steel	MMS Male-Male, Stainless Steel	

Please consult your local NOSHOK Distributor or NOSHOK, Inc. for availability and delivery information.

* Available only on EFFB, EFFC and EFFS valve types.

EXAMPLE



To meet all of your specific application requirements, the following **additional options** are available for these needle valves. To order all or any of these options, simply add them to the part number as shown in the diagram below.

NOTE 1: The example shown includes ALL possible additional options. Please include ONLY the options required for your application when building your part number. (EXAMPLE: 102-MFC-HL3)

NOTE 2: When a packing option is selected, an o-ring option is NOT available.

ORDERING INFORMATION - ADDITIONAL OPTIONS			
PACKINGS*	P1 PTFE	P2 Graphite	
STEM TIPS	T1 Non-rotating (316 Stainless standard)	T6 Ball (carbide)	T8 Ball (Monel)
	T5 Ball (440C Stainless)	T7 Ball (ceramic)	T9 Non-rotating regulating (316 Stainless)
O-RINGS**	EM1 EPDM	KZ1 FFKM (Perfluoroelastomer)	NB1 NBR
PANEL MOUNTINGS	PM1 Panel mount (1 nut)	PM2 Panel mount (2 nuts)	
HANDLES	HL2 2-1/2" "T"	HL4 1-3/8" Phenolic	
	HL3 1" Round knurled	HL5 1-3/4" Phenolic	

Please consult your local NOSHOK Distributor or NOSHOK, Inc. for availability and delivery information.

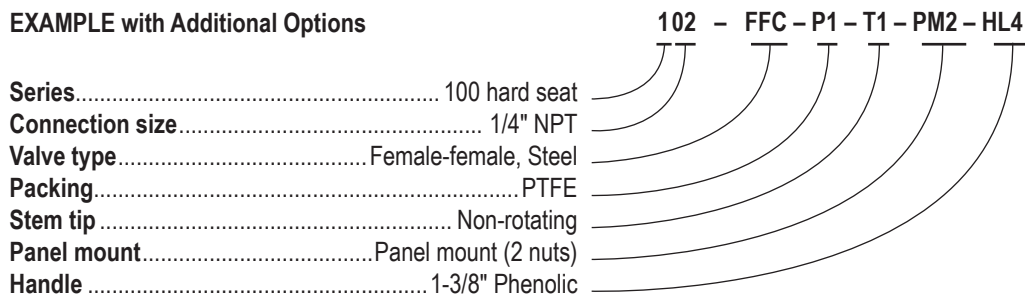
* If a packing option is chosen, maximum pressure rating is 6,000 psi. Refer to the "Pressure vs. Temperature: Packing Style with Compatible Fluid" chart at the back of this catalog.

** Other o-ring materials available on request.

Please note that the standard o-ring in all the NOSHOK mini valves is FKM and the standard handles are Brass round knurled (HL3) handles, Steel mini "T" handles (HL1), and 316SS mini "T" handles (HL1).

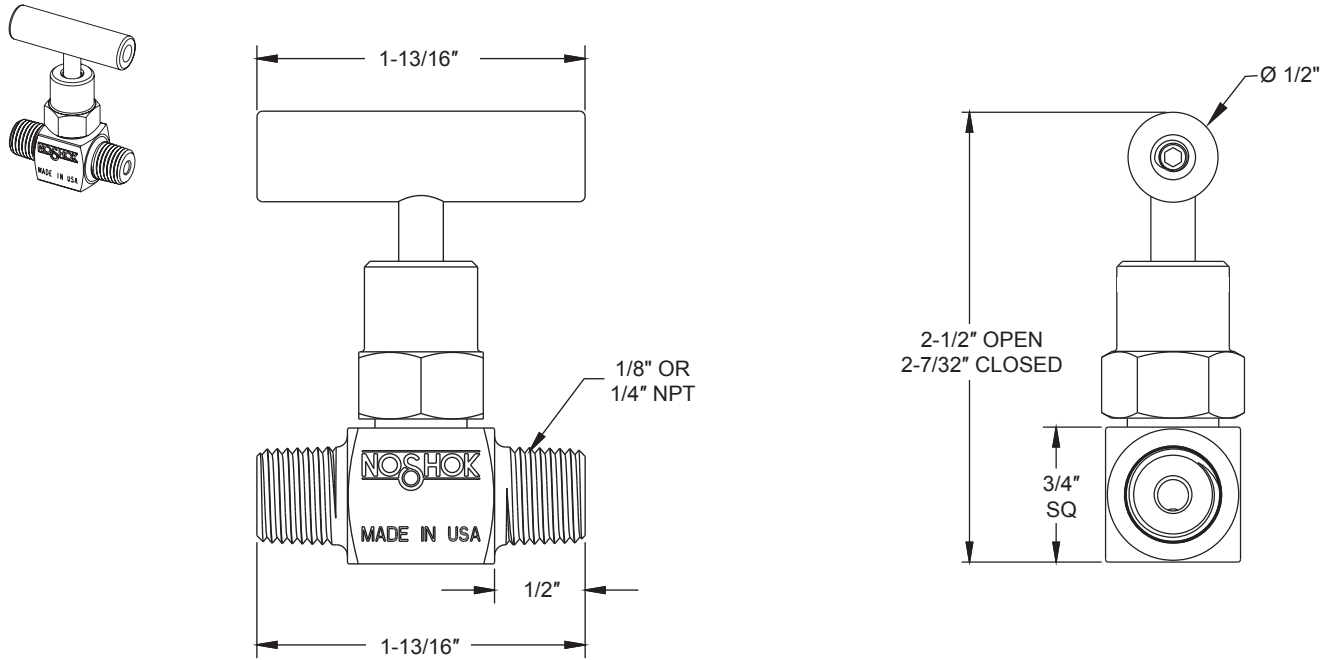
The handle material will always match the material of the valve, unless otherwise specified. For example, the round knurled (HL3) on a 102-FFB will be Brass. When only the standard configuration is needed, no additional designations are necessary. Please consult the factory for special application requests.

EXAMPLE with Additional Options

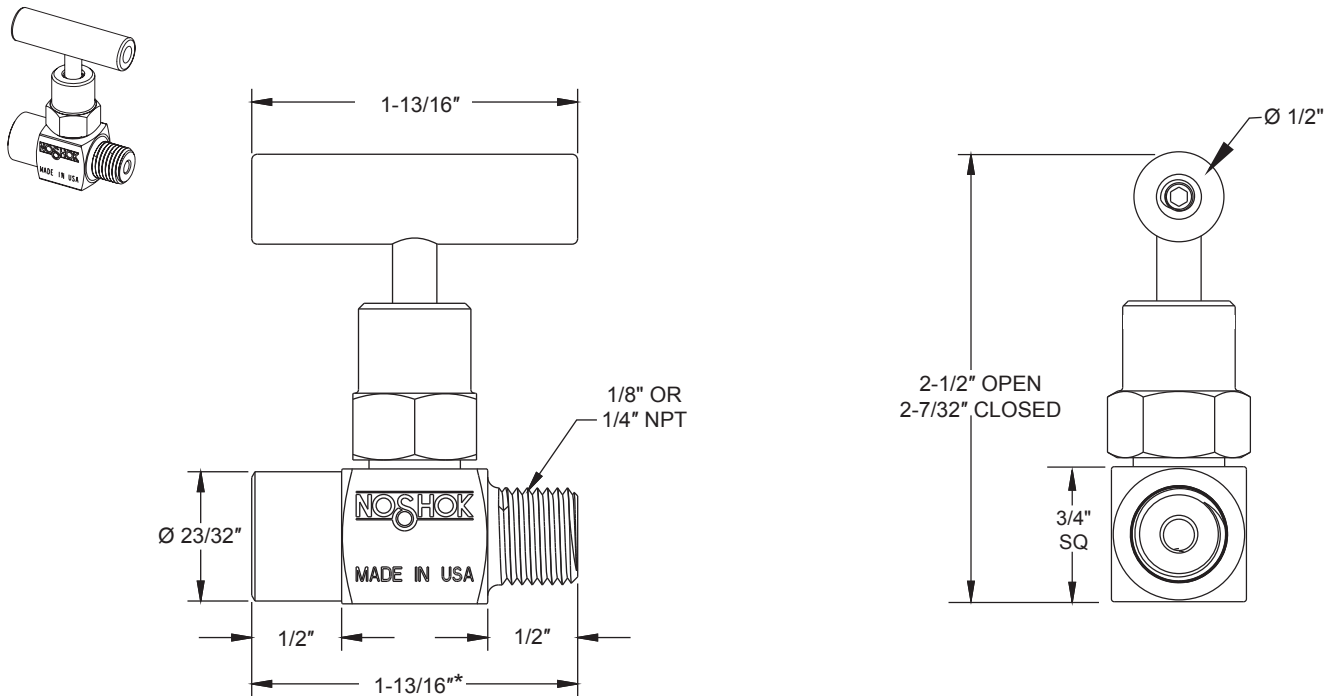


Dimensions

Male-Male

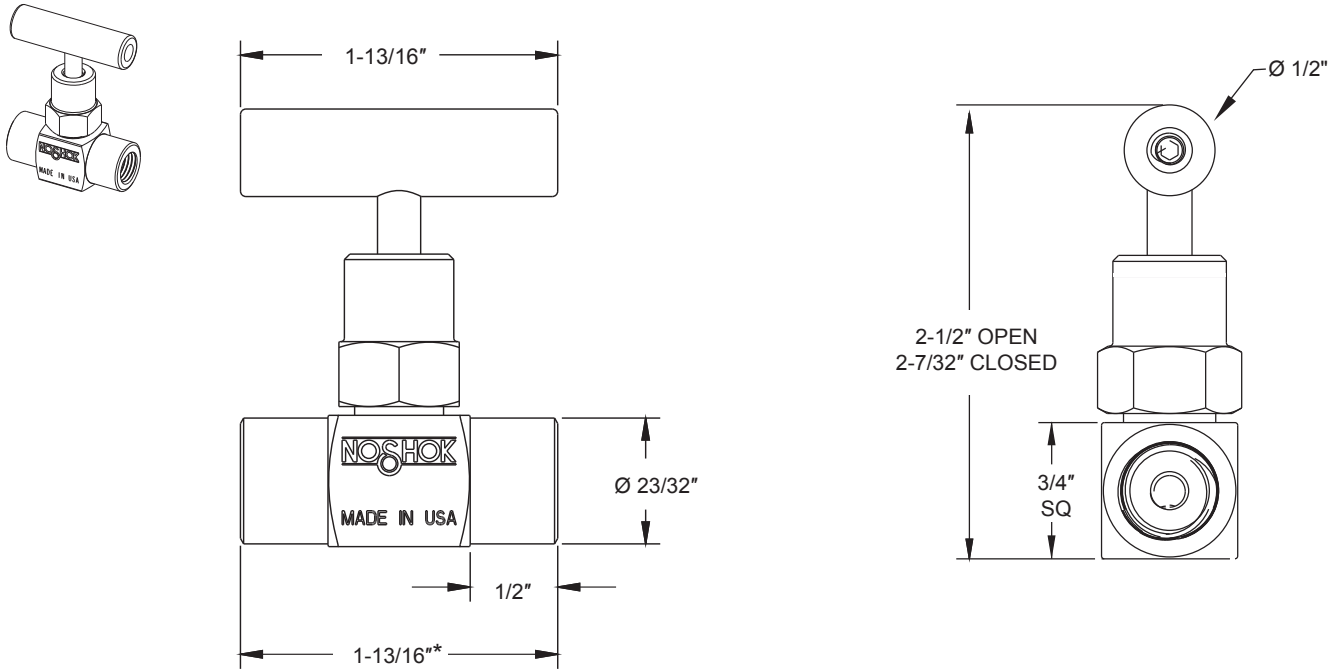


Male-Female



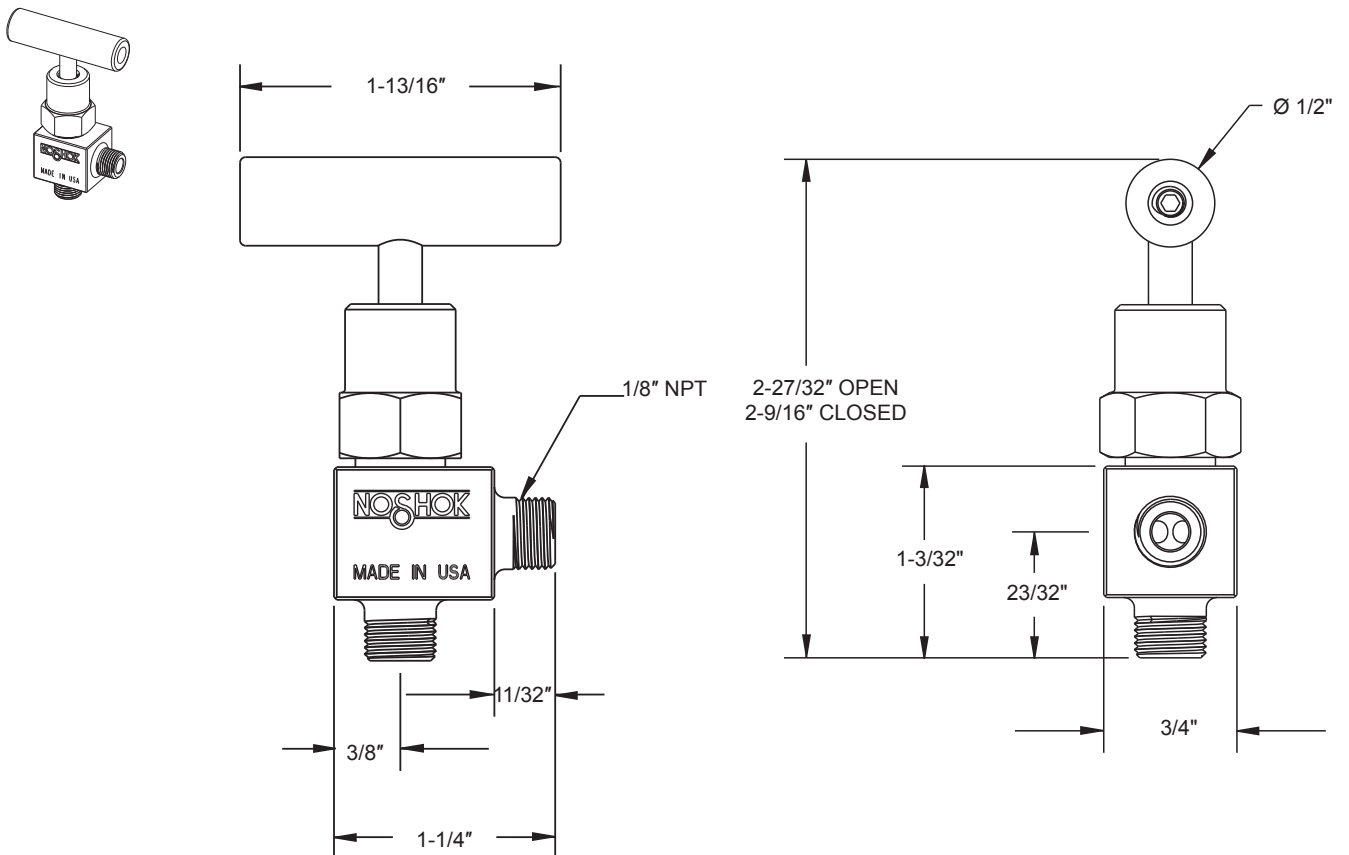
*Dimension on extended version is 2-1/4"

Female-Female



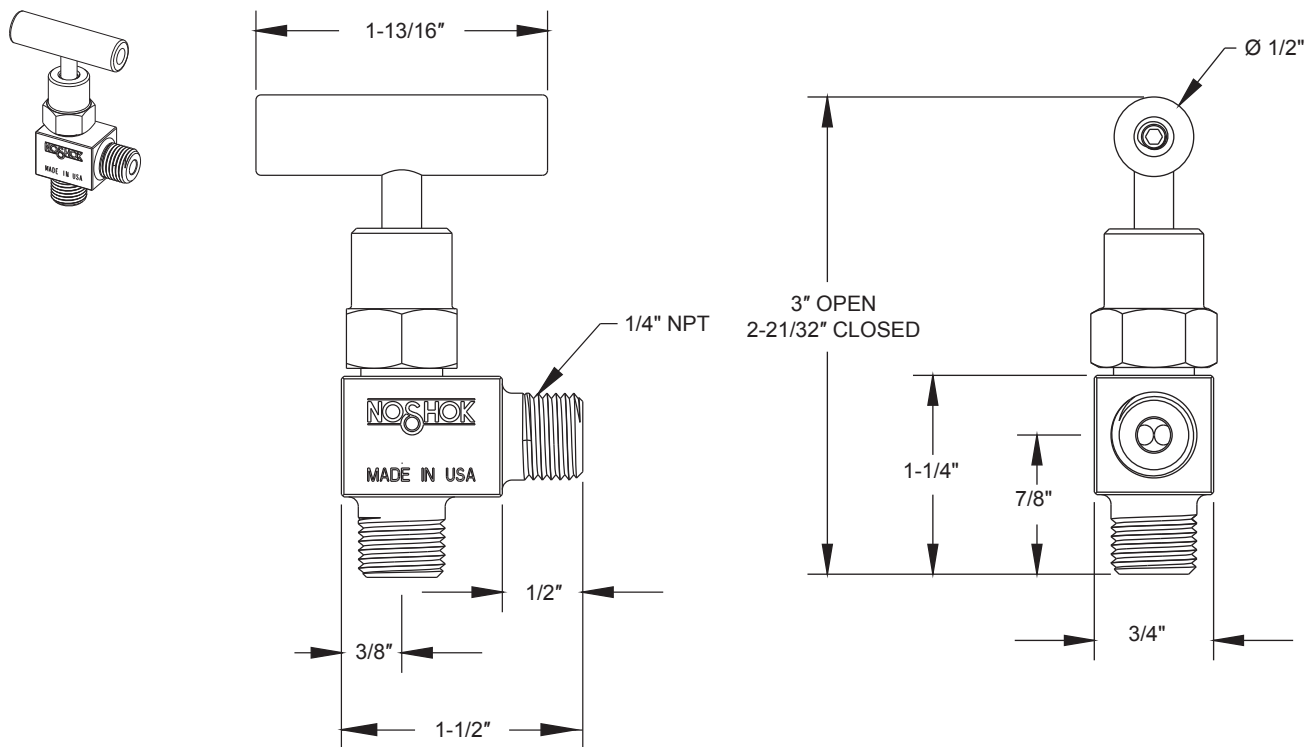
*Dimension on extended version is 2-1/4"

1/8" Male-Male Angle

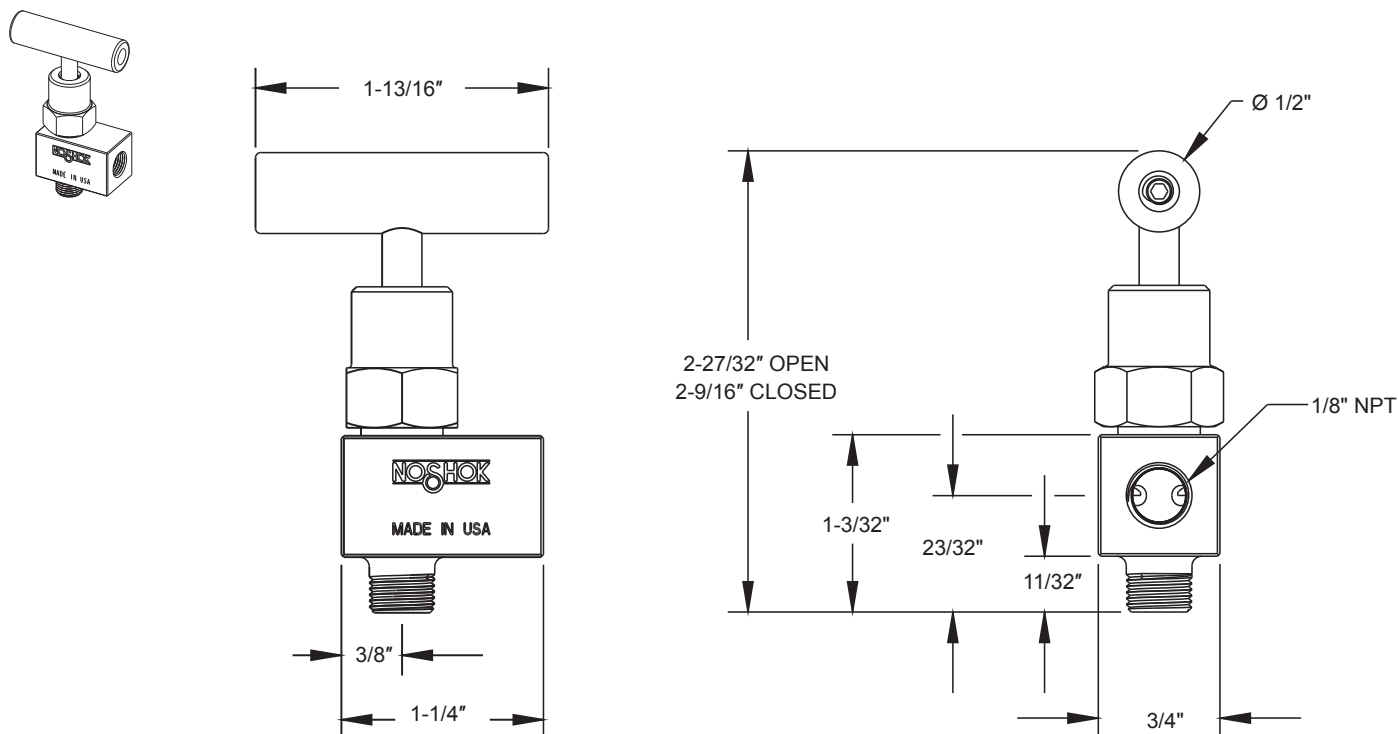


Dimensions

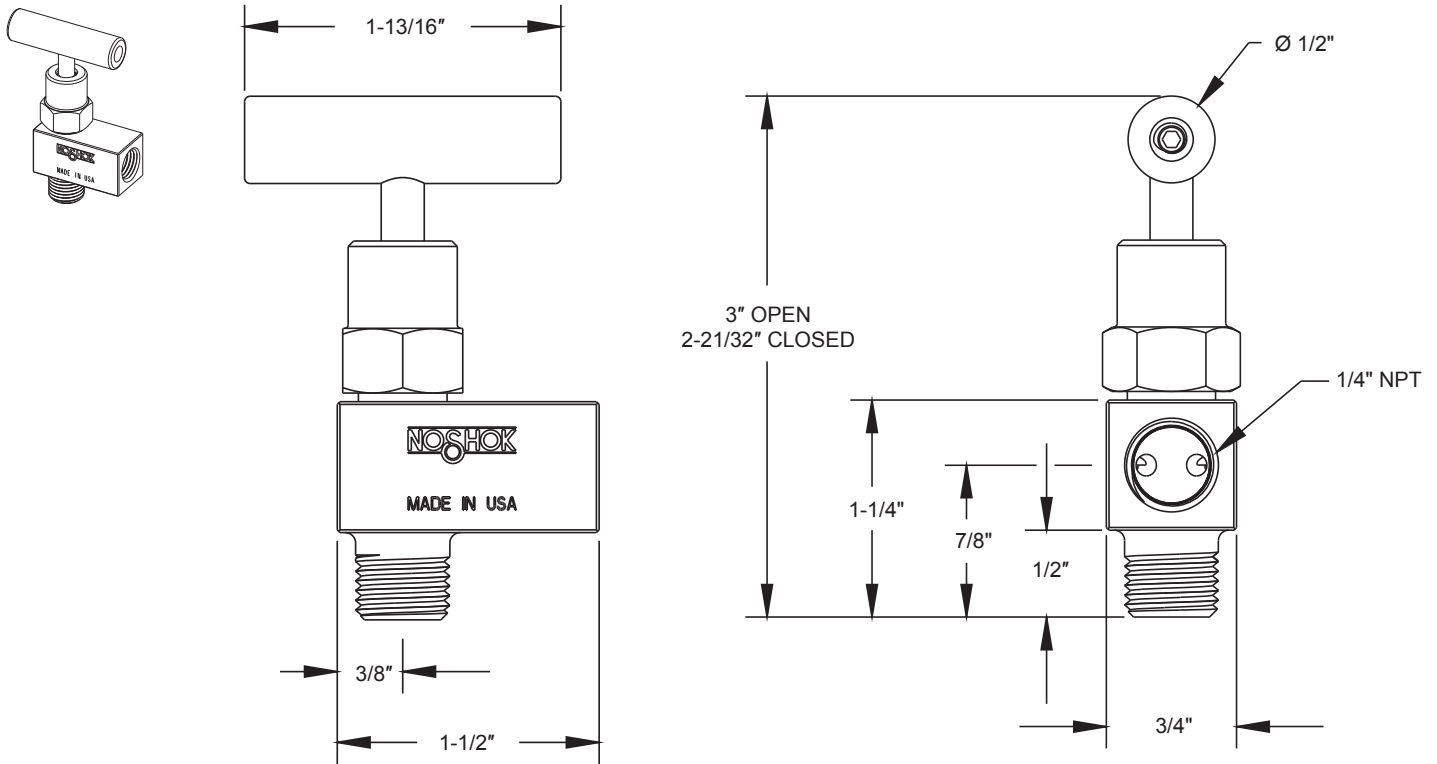
1/4" Male-Male Angle



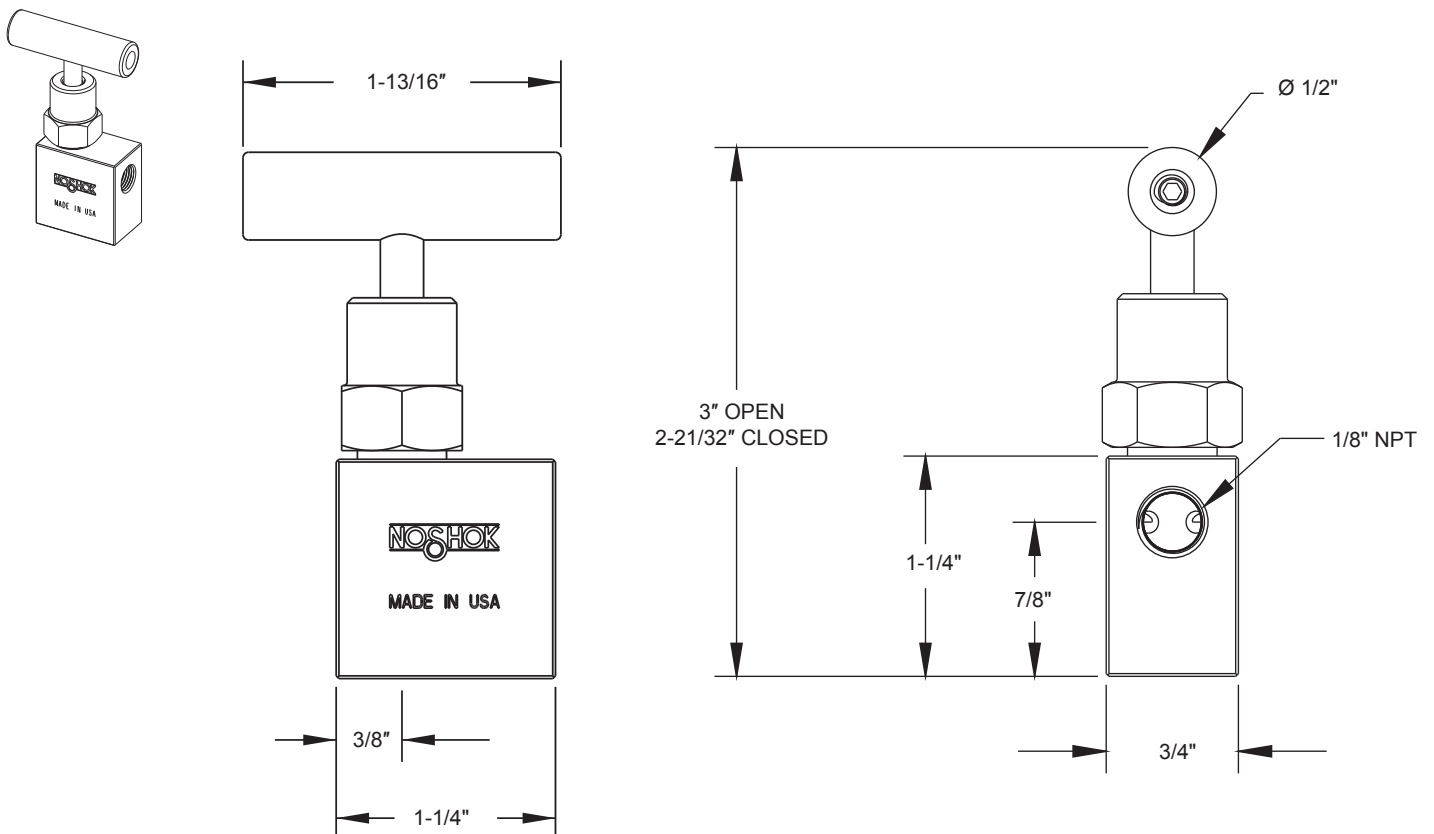
1/8" Male-Female Angle



1/4" Male-Female Angle

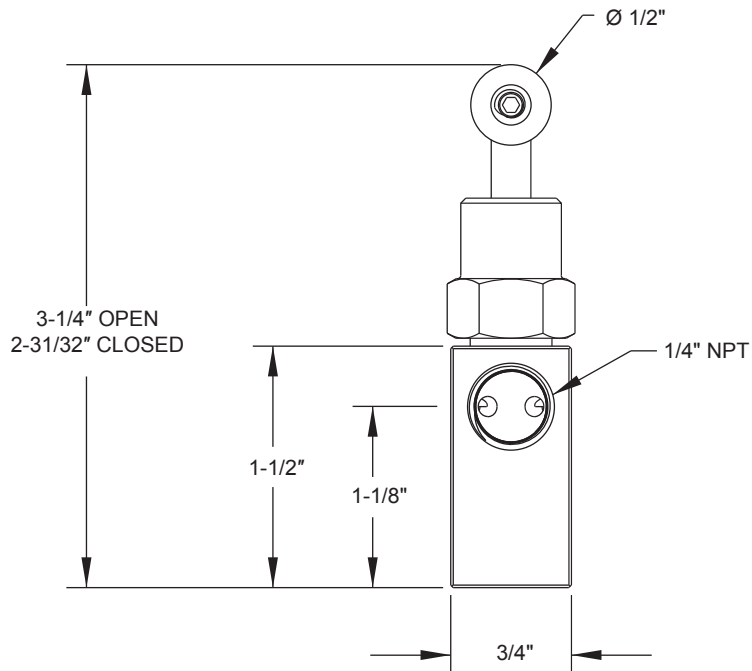
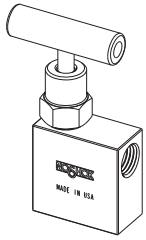


1/8" Female-Female Angle



Dimensions

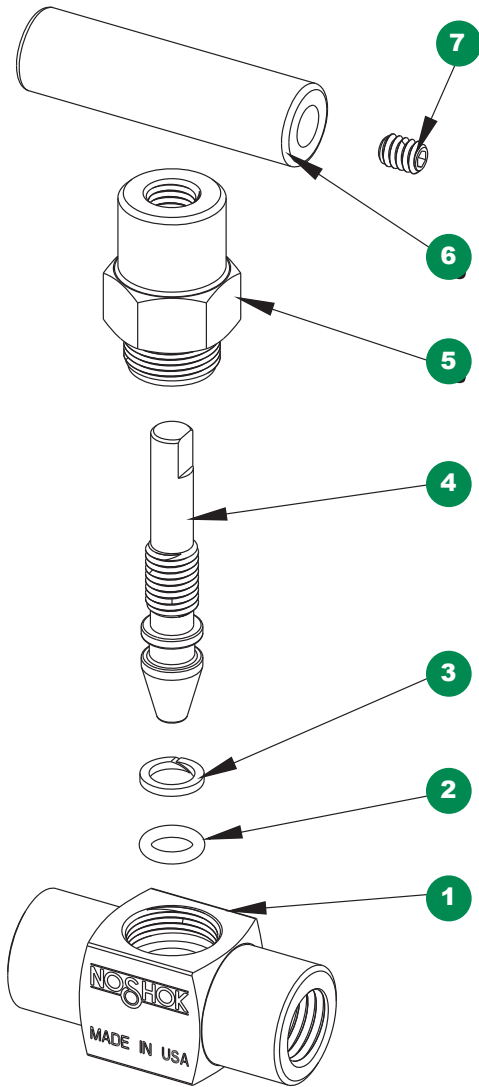
1/4" Female-Female Angle



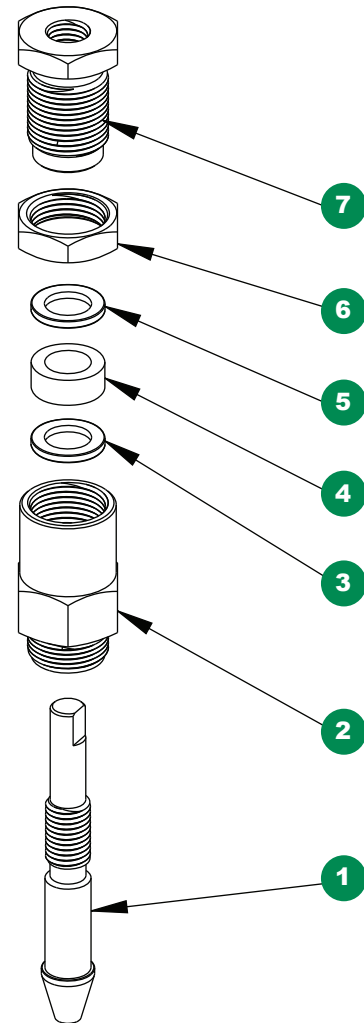
For panel mount, packing, & stem tip dimensions, see pgs. 64-67.

Mini, Hard Seat

Option With Packing



- 1 Mini valve body
- 2 FKM o-ring
- 3 PTFE back-up ring
- 4 Mini valve stem
- 5 Mini valve bonnet
- 6 Mini valve "T" handle
- 7 Set screw



- 1 Mini valve packing stem
- 2 Mini valve packing bonnet
- 3 Packing washer
- 4 Packing
- 5 Packing washer
- 6 Jam nut
- 7 Packing adjustment screw